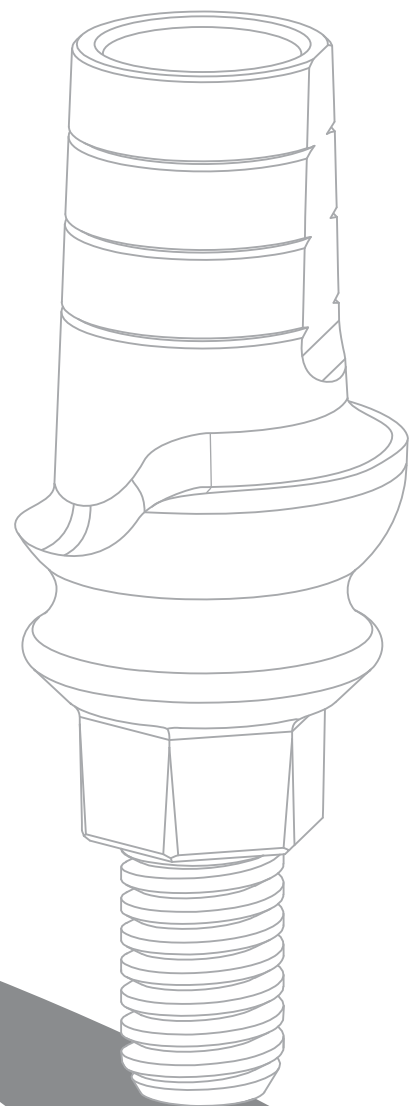


Prosthetics Line
EXPANSION 

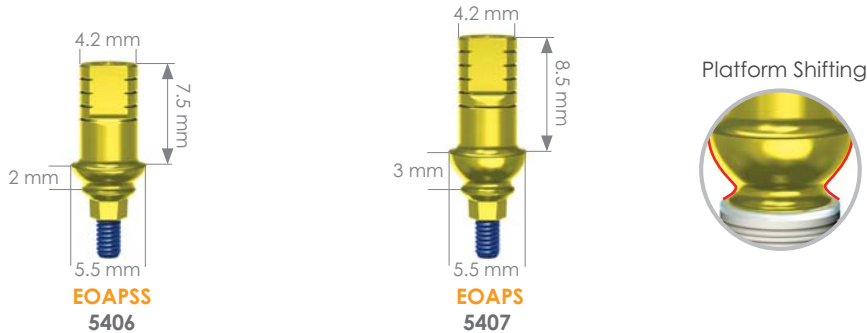


New!

Alpha-Bio Tec is proud to announce the prosthetics line expansion. The new prosthetics are designed to offer an array of solutions, meet the restorative clinician and the technicians' needs while making work even more comfortable.

Esthetic Cement Retained Restoration Abutments

Esthetic Omni Abutment (standard and short) with Platform Shifting



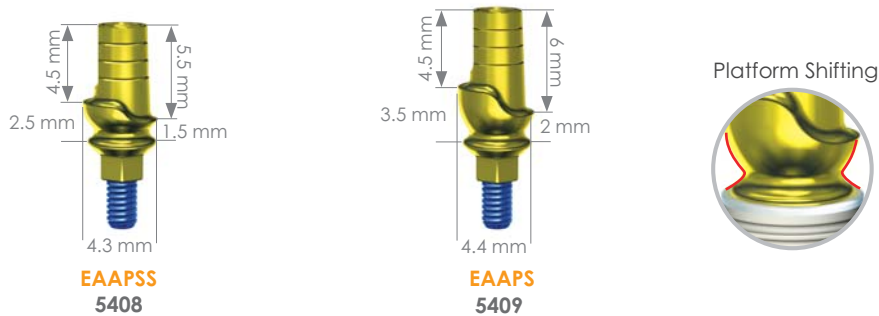
Features

- Wide anatomical straight abutment
- Platform shifting with narrow neck design
- Available in two different platform height options: 2 mm and 3 mm

Benefits

- Specially designed for pre-molars and molars
- Improved esthetics in the posterior regions
- Allows the gingival tissue to grow perfectly around the narrow neck design
- Ease of use, pre-made anatomical shapes reduce chair and laboratory time

Esthetic Anatomic Abutment with Platform Shifting (standard and short)



Features

- Esthetic anatomic straight abutment: A contoured shaped platform that resembles the natural shape of the tooth by the Buccal-Palatal design
- Platform shifting narrow neck design
- Available in two different narrow neck height options:
 - Buccal: 1.5 mm, Palatal: 2.5 mm
 - Buccal: 2.0 mm, Palatal: 3.5 mm

Benefits

- Ensures an esthetic and functional outcome
- Allows the gingival tissue to grow perfectly around the narrow neck design
- Ease of use, pre-made anatomical shapes reduce chair and laboratory time

AlphaLoC Locator UniCovers



AlphaLoC Locator UniCover 1mm
4833

AlphaLoC Locator UniCover 2 mm
4834

The Alpha-Bio Tec's new AlphaLoC Locator UniCover for the Alpha Universe Multi Unit abutment system is the newest addition to our wide range of Alpha- Universe UniCovers. This new UniCover provides a perfect solution for low restoration as well as restoration for implants that are angulated up to 50° while maintaining a low vertical height. The UniCovers are available in two different height options: 1.0 mm and 2.0 mm.

All new internal hex abutments will improve end results and ensure better esthetics, as well as sustain Alpha-Bio Tec's fundamental concept of simplicity by maintaining a single platform design.

Cement Retained Restoration Abutments

Titanium Lock Abutment Wide Profile (standard and long)



Features

- Straight titanium abutment with a wider gingival area for customized shaping
- Available in two different height options: 8.5 mm and 12.5 mm

Benefits

- Improved esthetics providing the ability to construct the abutment in various restoration cases
- Flexibility during abutment shaping

Titanium Slim Abutment with Platform



Features

- Slim abutment with different platform heights
- Available in three different platform height options: 0.5mm, 1.5 mm, 2.5 mm
- Abutment height from implant level is 8.5 mm

Benefits

- For use in narrow restorative spaces providing better esthetics and reduces gingival recession
- Provides continuity between the crown and the abutment without an overhang

Casting Abutment

TLABG - Gold Alloy Abutment with Press-Fit Plastic Sleeve



Features

- Gold alloy abutment with a press-fit plastic sleeve intended for customized casting prosthetic restorations

Benefits

- Customized individual casting abutment for cement retained restorations
- Customized individual casting Telescopic abutment
- To be used with high temperature up to 1350°C



www.alpha-bio.net

Alpha-Bio Tec's products are CE-marked in accordance with the Council Directive 93/42/EEC and Amendment 2007/47/EC. Alpha-Bio Tec complies with ISO 13485:2003 and the Canadian Medical Devices Conformity Assessment System (CMDCAS).

Alpha-Bio Tec Ltd.

7 Hatnufa St. P.O.B. 3936
Kiryat Arye, Petach Tikva
49510, Israel

Israel

T+972-3-9291000
F+972-3-9235055
sales@alpha-bio.net

International

T+972-3-9291055
F+972-3-9291010
export@alpha-bio.net

EC REP MEDES LIMITED

5 Beaumont Gate, Shenley Hill,
Radlett, Herts WD7 7AR,
England
Tel / Fax: +44 1923859810